

# User Instructions

Motorized Free standing pergola

Size:

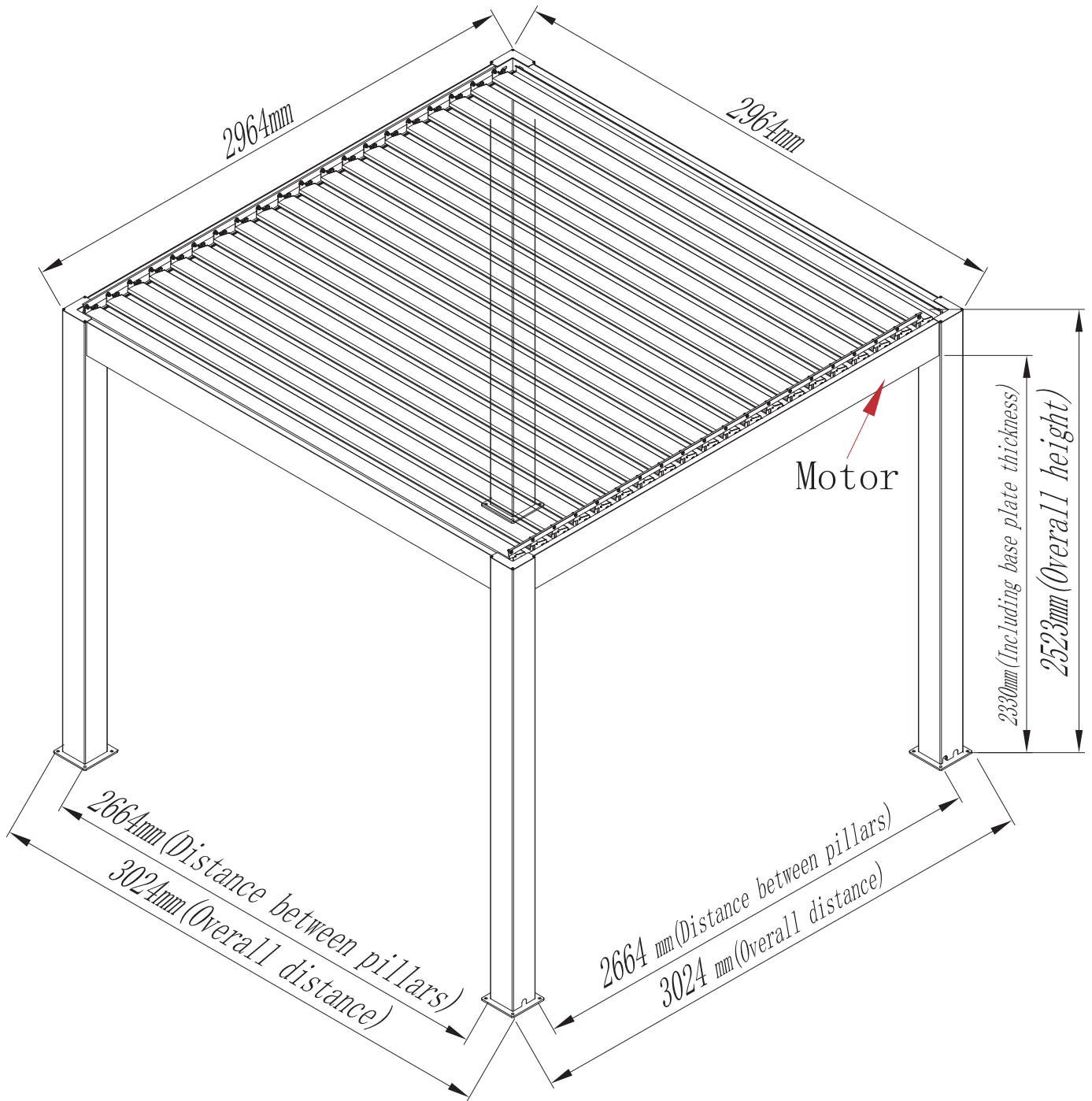
300x300cm

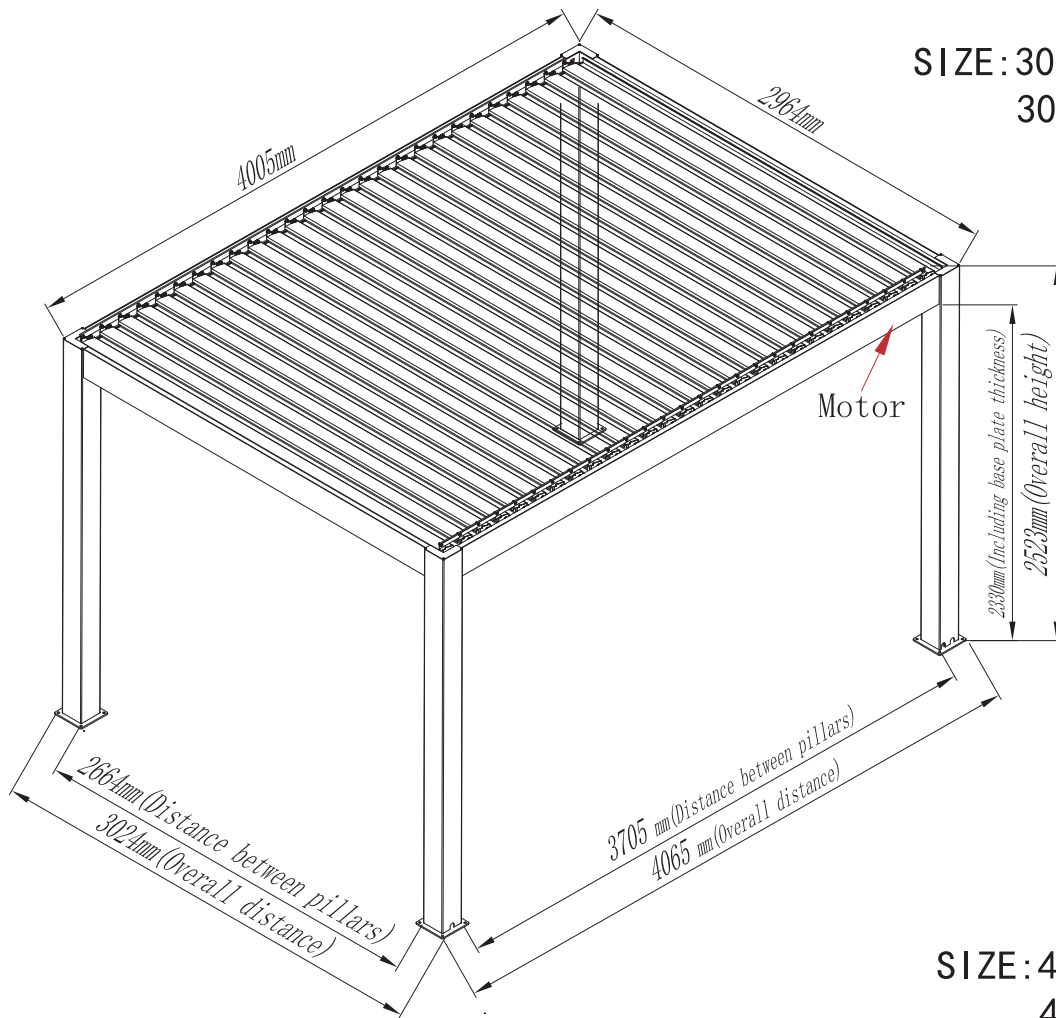
300x400cm/400x400cm

300x500cm/400x500cm

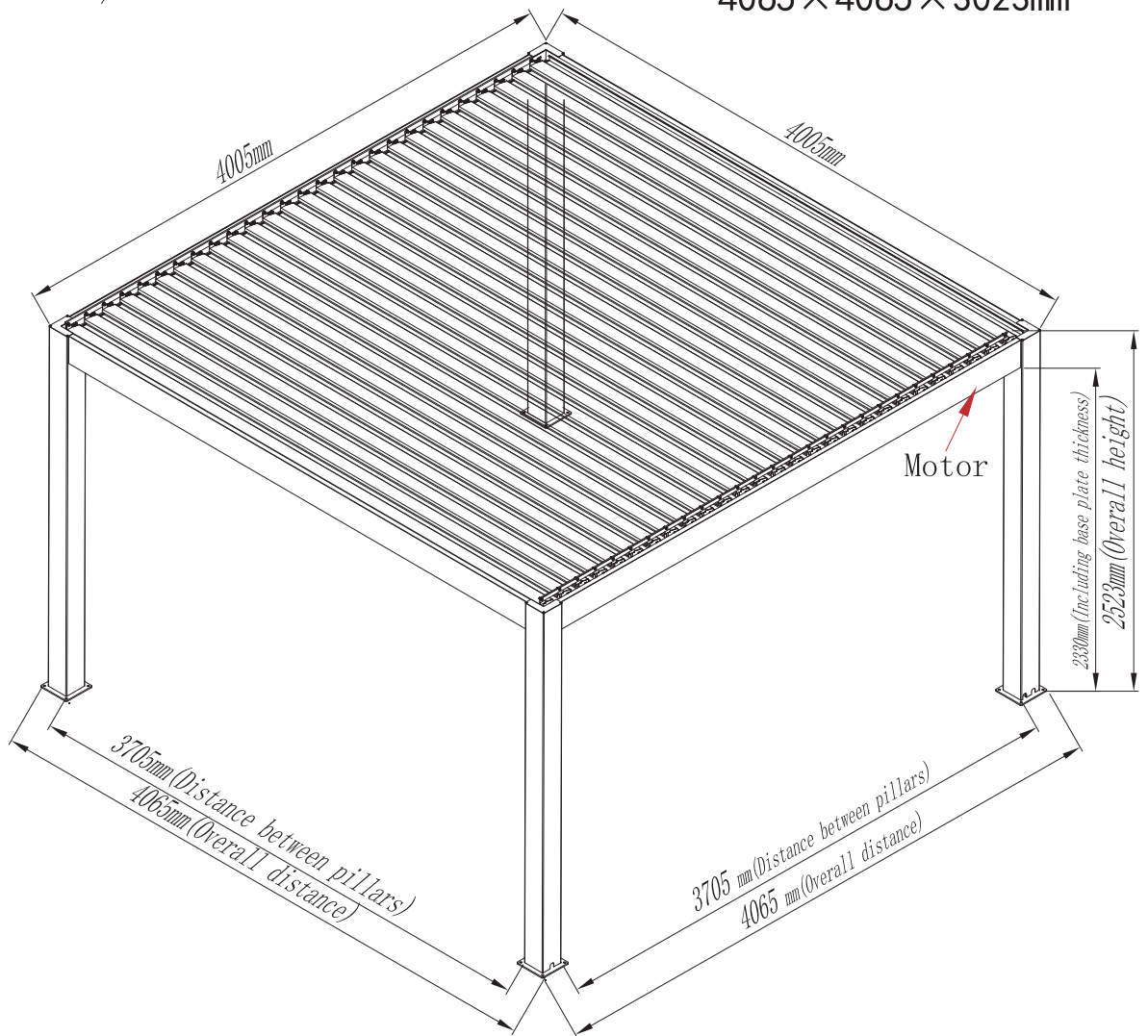
300x600cm/400x600cm

SIZE : 3024 × 3024 × 2523mm  
3024 × 3024 × 3023mm

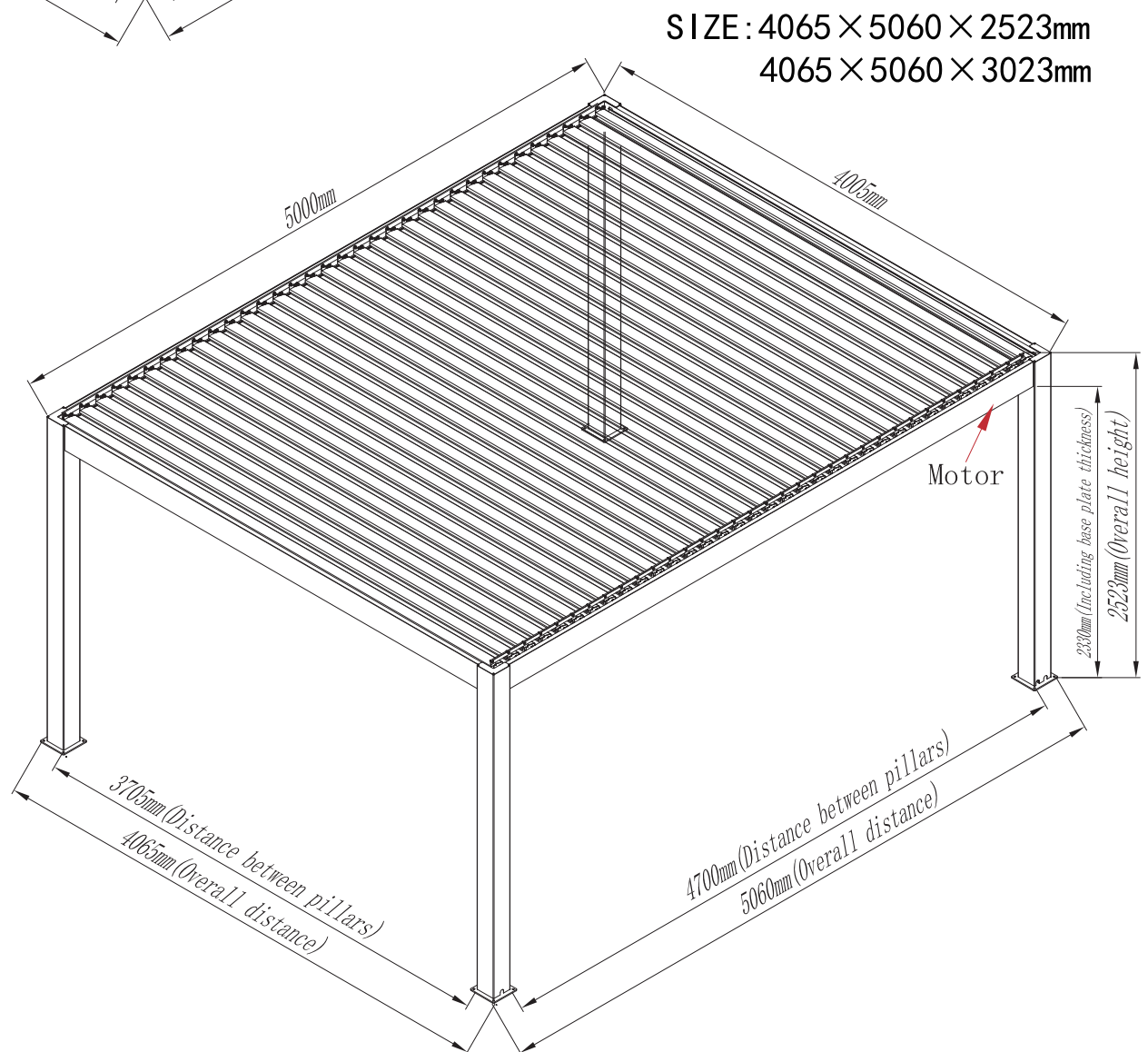
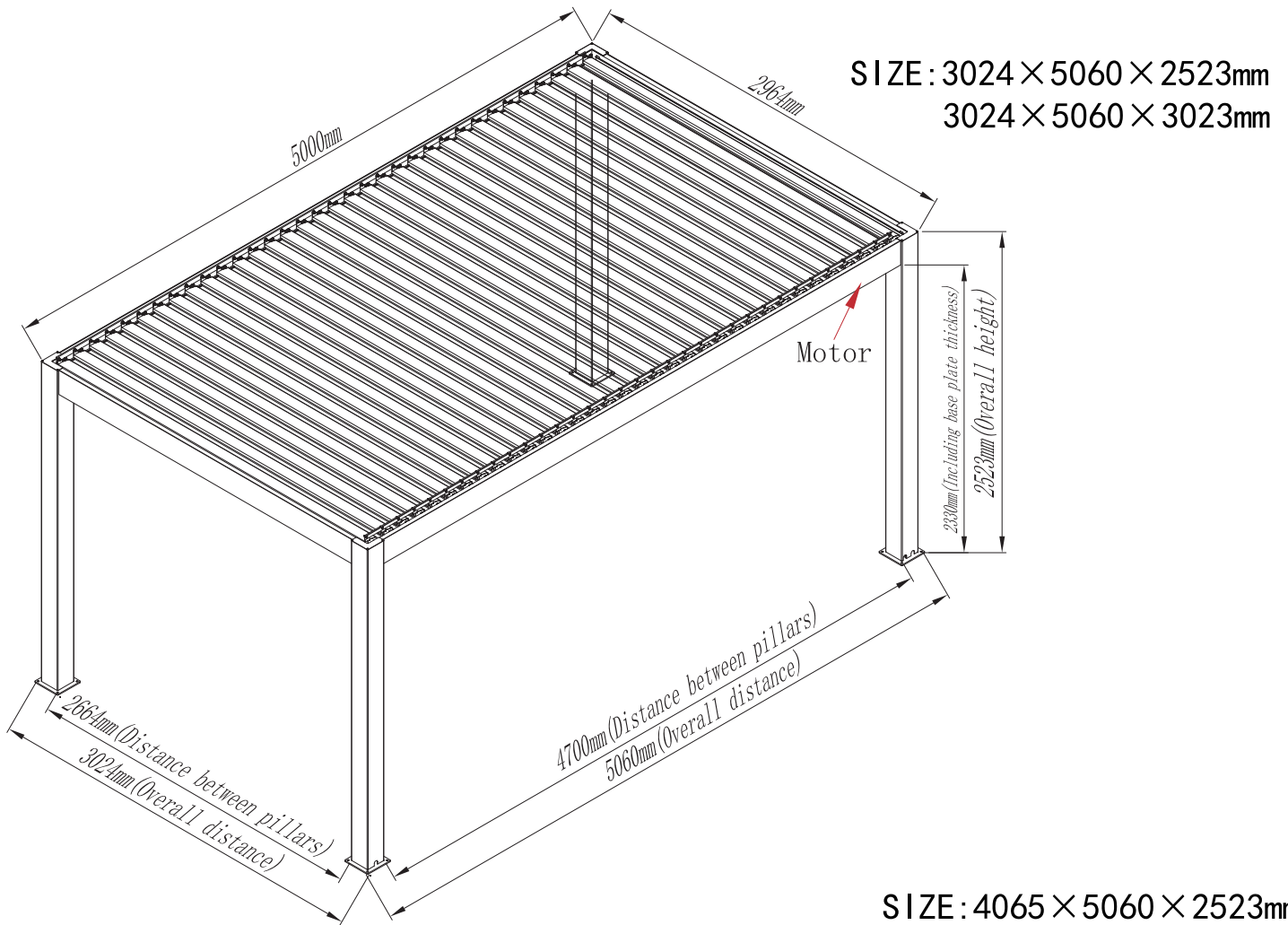


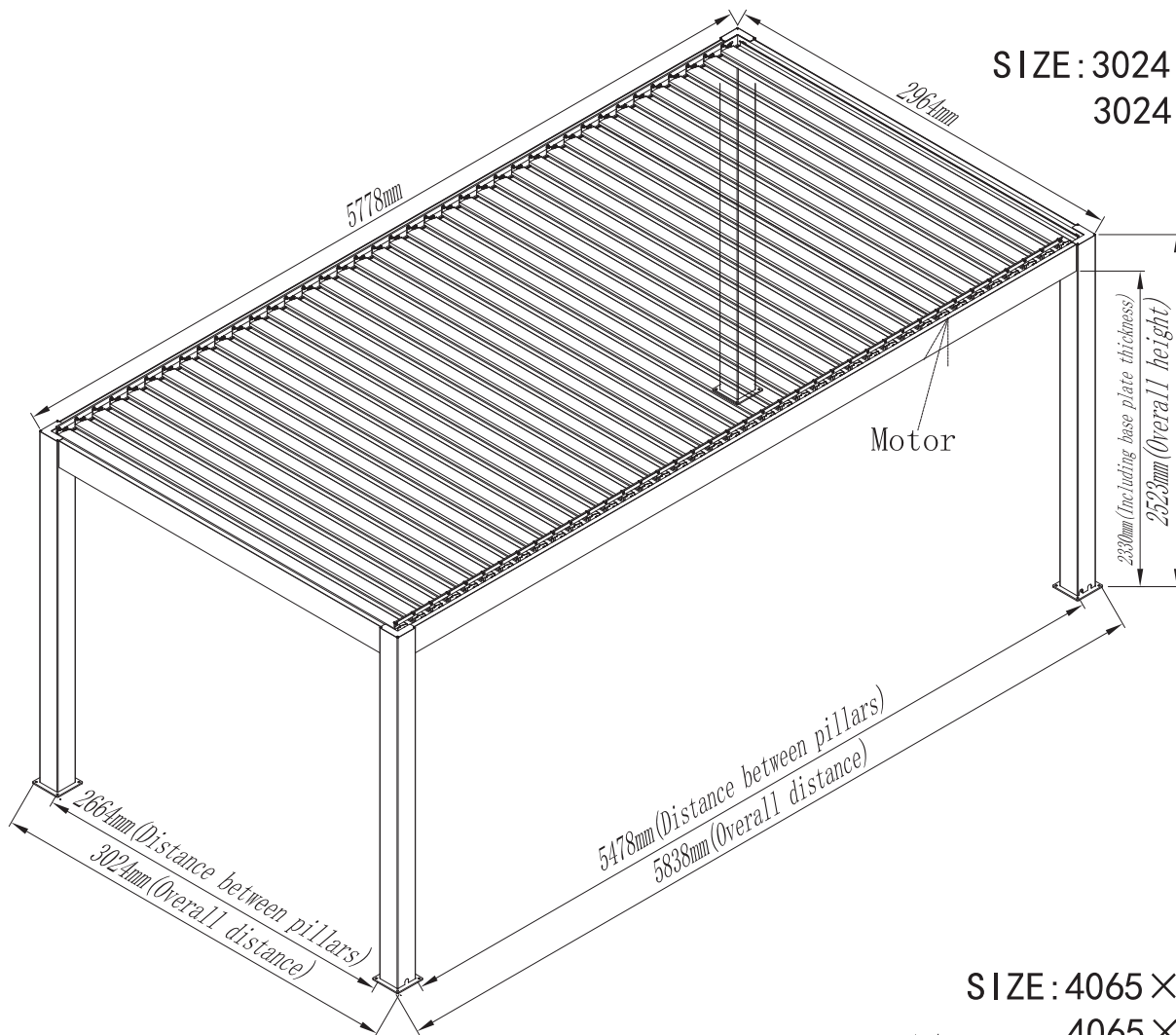


SIZE : 3024 × 4065 × 2523mm  
 3024 × 4065 × 3023mm

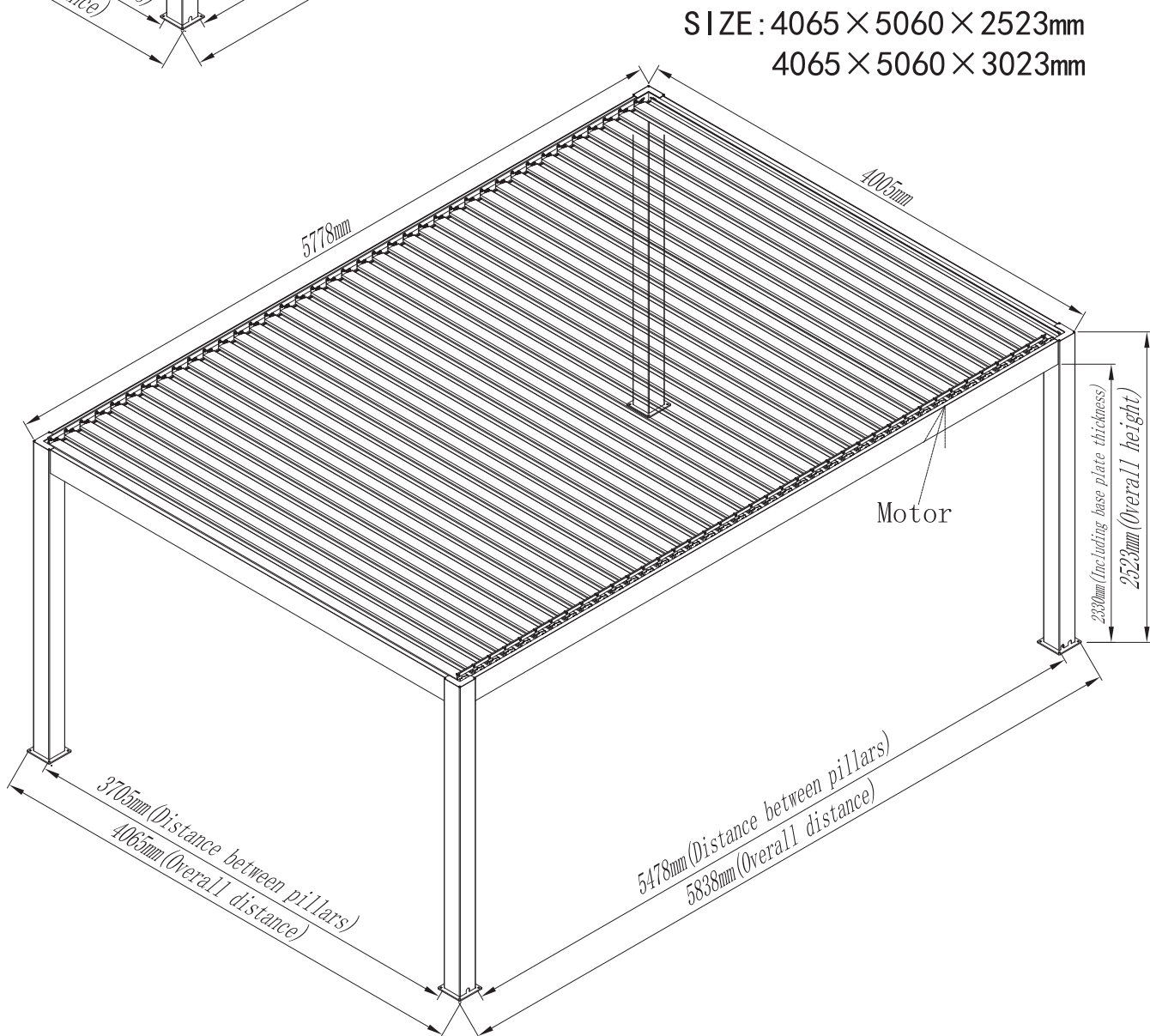


SIZE : 4065 × 4065 × 2523mm  
 4065 × 4065 × 3023mm






SIZE : 3024 × 5060 × 2523mm  
3024 × 5060 × 3023mm



SIZE : 4065 × 5060 × 2523mm  
4065 × 5060 × 3023mm

Tools and man force .....	2
Part List .....	3-10
Product Description .....	11
Safety Instruction .....	11-12
Mounting .....	13-25
Motor Setup .....	26
Dismounting .....	27
Storage .....	27
Disposal .....	27

 **Attention:**  
**Read this instruction manual carefully and completely before mounting and usage.**  
**Keep this manual for future reference.**

Dear Customer,

Congratulations and thank you for choosing to buy the Pergola from our company. To enjoy this product for a long time and for your own and the safety of other people, please follow the assembly instructions.

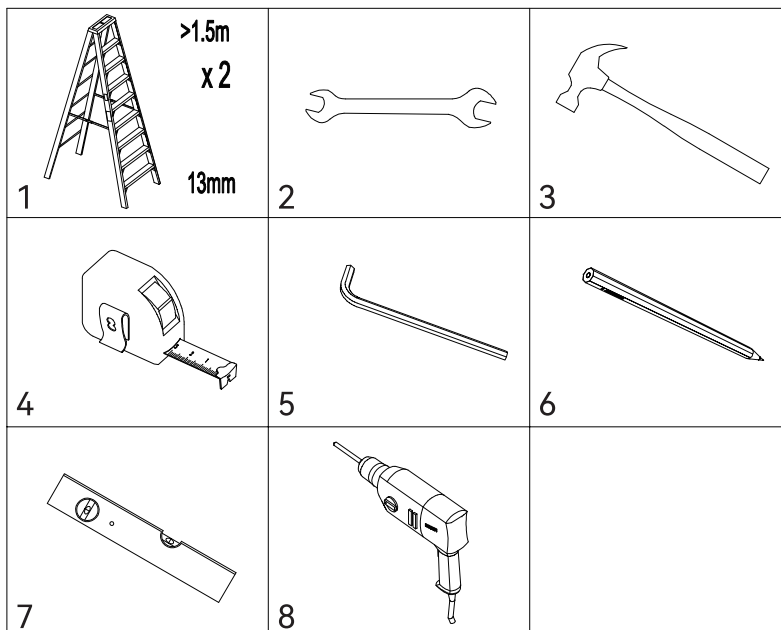
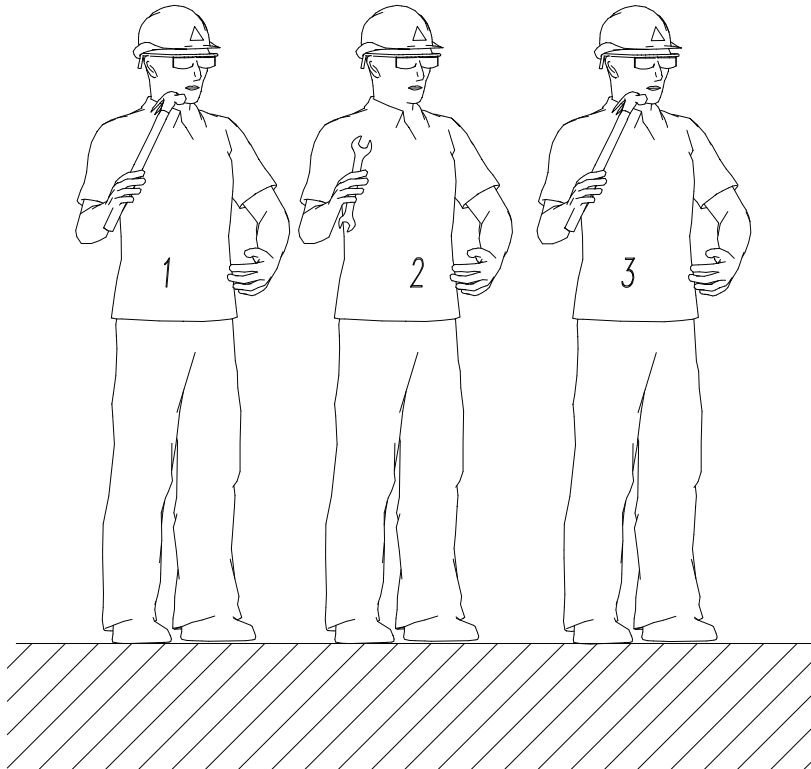
Before you start the assembly process and then using the Pergola, we suggest you are best to get familiar with this product first. Make sure all parts listed up in below packing lists are delivered and intact. If you find that there are parts missing or damaged please do not instal the pergola but contact us immediately. Do not start the assembly process if parts are missing or defective.

## Tools and man force

Recommended: 2 or 3 people

Additional tools :

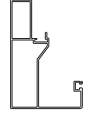

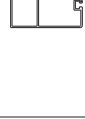

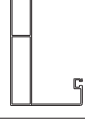
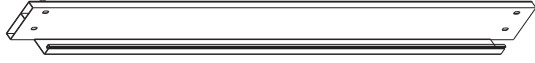
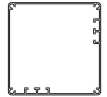
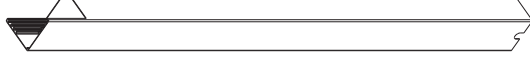
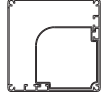
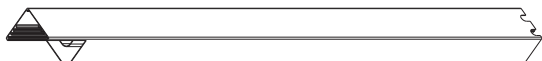
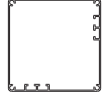
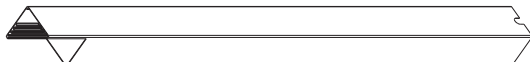

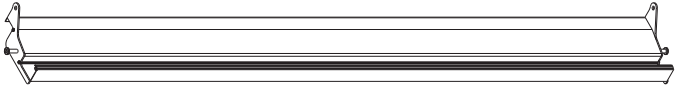
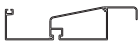
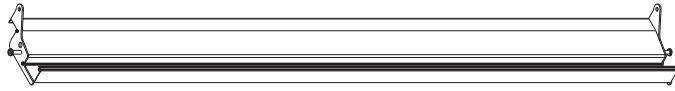
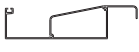



1. Ladder
2. M10 / 13 open wrench supplied
3. Rubber mallet
4. Tape measure
5. 5mm hexgon wrench supplied
6. Pencil
7. Spirit level
8. Electric drill



## Parts List

Please check all parts against the parts list before commencing construction of pergola.

### SIZE: 300X300CM PARTS LIST

(A)			×1
(B)			×1
(C)			×2
(D1)			×2
(D2)			×1
(D3)			×1
(G1)			×15
(G2)			×4
(H)			×1
(J)			×2

### ALUMINUM PROFILE PARTS LIST:

- |               |   |                          |
|---------------|---|--------------------------|
| (A) Main beam | (D-1) Post                                  | (G-1) Louver             |
| (B) Main beam | (D-2) Post (Water & electricity separation) | (G-2) Louver with lights |
| (C) Beam      | (D-3) Post                                  | (H) Driving louver       |
|               |   | (J) Driving rod          |

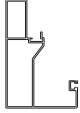





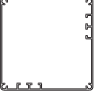
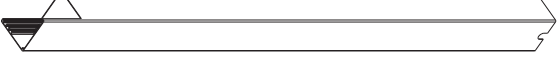
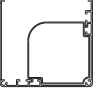

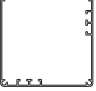
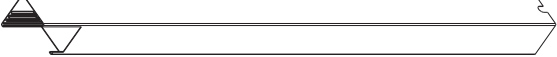
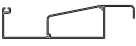
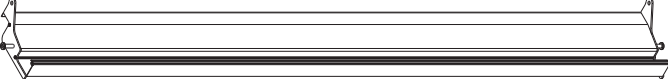
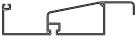
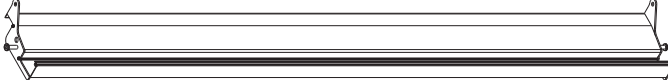

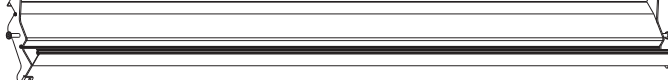




①		× 4	⑨		× 3
②		× 16	⑩		× 1
③		× 4	⑪		× 16
④		× 12	⑱		× 1
⑤		× 40			
⑥		× 40			
⑦		× 40			
⑧		× 1			

### HARDWARE AND OTHER PARTS:

- ① Base plate
- ② M8x35 hexagonal countersunk head screws
- ③ Upright cover
- ④ M8X20 hex socket custom screws
- ⑤ M8x22.4 hexagon flat head half-tooth screws
- ⑥ Plastic spacer
- ⑦ M8 locking nut
- ⑧ Water & electricity separation rubber plug
- ⑨ M8×20 hexagon socket flat head screws
- ⑩ Motor with motor bracket
- ⑪ M8X100 expansion bolt
- ⑱ Wiring harness

**SIZE: 300X400 / 400X400CM PARTS LIST**

A		 ×1
B		 ×1
C		 ×2
D1		 ×2
D2		 ×1
D3		 ×1
G1		 ×21
G2		 ×5
H		 ×1
J		 ×2

**ALUMINUM PROFILE PARTS LIST:**

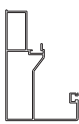





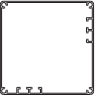

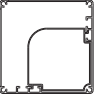

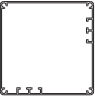
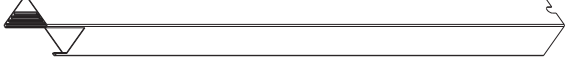
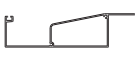

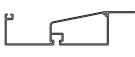
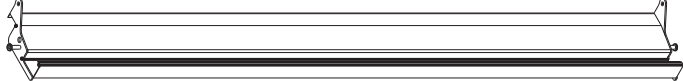
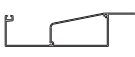



- |             |   |                        |
|-------------|---|------------------------|
| Ⓐ Main beam | Ⓓ-1 Post                                  | Ⓔ-1 Louver             |
| Ⓑ Main beam | Ⓓ-2 Post (Water & electricity separation) | Ⓔ-2 Louver with lights |
| Ⓒ Beam      | Ⓓ-3 Post                                  | Ⓕ Driving louver       |
|             |   | Ⓖ Driving rod          |

①		× 4	⑨		× 3
②		× 16	⑩		× 1
③		× 4	⑪		× 16
④		× 12	⑱		× 1
⑤		× 54			
⑥		× 54			
⑦		× 54			
⑧		× 1			

#### HARDWARE AND OTHER PARTS:

- ① Base plate
- ② M8x35 hexagonal countersunk head screws
- ③ Upright cover
- ④ M8X20 hex socket custom screws
- ⑤ M8x22.4 hexagon flat head half-tooth screws
- ⑥ Plastic spacer
- ⑦ M8 locking nut
- ⑧ Water & electricity separation rubber plug
- ⑨ M8×20 hexagon socket flat head screws
- ⑩ Motor with motor bracket
- ⑪ M8X100 expansion bolt
- ⑱ Wiring harness

**SIZE: 300X500 / 400X500CM PARTS LIST**

A		 ×1
B		 ×1
C		 ×2
D1		 ×2
D2		 ×1
D3		 ×1
G1		 ×27
G2		 ×6
H		 ×1
J		 ×2

**ALUMINUM PROFILE PARTS LIST:**

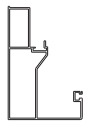



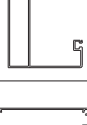
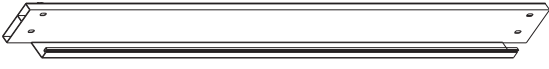
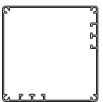

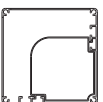

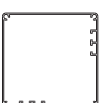

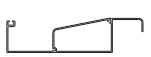

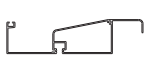


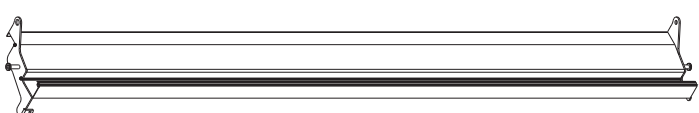


- |             |   |                        |
|-------------|---|------------------------|
| Ⓐ Main beam | Ⓓ-1 Post                                  | Ⓔ-1 Louver             |
| Ⓑ Main beam | Ⓓ-2 Post (Water & electricity separation) | Ⓔ-2 Louver with lights |
| Ⓒ Beam      | Ⓓ-3 Post                                  | Ⓕ Driving louver       |
|             |   | Ⓖ Driving rod          |

①		× 4	⑨		× 3
②		× 16	⑩		× 1
③		× 4	⑪		× 16
④		× 12	⑱		× 1
⑤		× 68			
⑥		× 68			
⑦		× 68			
⑧		× 1			

#### HARDWARE AND OTHER PARTS:

- ① Base plate
- ② M8x35 hexagonal countersunk head screws
- ③ Upright cover
- ④ M8X20 hex socket custom screws
- ⑤ M8x22.4 hexagon flat head half-tooth screws
- ⑥ Plastic spacer
- ⑦ M8 locking nut
- ⑧ Water & electricity separation rubber plug
- ⑨ M8×20 hexagon socket flat head screws
- ⑩ Motor with motor bracket
- ⑪ M8X100 expansion bolt
- ⑱ Wiring harness

**SIZE: 300X600CM / 400X600CM PARTS LIST**

A		 ×1
B		 ×1
C		 ×2
D1		 ×2
D2		 ×1
D3		 ×1
G1		 ×31
G2		 ×7
H		 ×1
J		 ×2

**ALUMINUM PROFILE PARTS LIST:**

- |             |   |                        |
|-------------|---|------------------------|
| Ⓐ Main beam | Ⓓ-1 Post                                  | Ⓔ-1 Louver             |
| Ⓑ Main beam | Ⓓ-2 Post (Water & electricity separation) | Ⓔ-2 Louver with lights |
| Ⓒ Beam      | Ⓓ-3 Post                                  | Ⓕ Driving louver       |
|             |   | Ⓖ Driving rod          |

①		× 4	⑨		× 3
②		× 16	⑩		× 1
③		× 4	⑪		× 16
④		× 12	⑱		× 1
⑤		× 78			
⑥		× 78			
⑦		× 78			
⑧		× 1			

#### HARDWARE AND OTHER PARTS:

- ① Base plate
- ② M8x35 hexagonal countersunk head screws
- ③ Upright cover
- ④ M8X20 hex socket custom screws
- ⑤ M8x22.4 hexagon flat head half-tooth screws
- ⑥ Plastic spacer
- ⑦ M8 locking nut
- ⑧ Water & electricity separation rubber plug
- ⑨ M8×20 hexagon socket flat head screws
- ⑩ Motor with motor bracket
- ⑪ M8X100 expansion bolt
- ⑱ Wiring harness

## Product Description

Make the most of your outdoor living area with your pergola. Relax and enjoy the outdoors while being protected from sun. The coated aluminum frame pergola is perfect for shading your garden, deck, courtyard and swimming pool.

## Important Safety Instructions

**Warning: For the safety of you and other persons it is important to follow below instructions and obey warnings.**

### Symbol explanation



This warning triangle calls attention to hazards that that can lead to death or to severe injuries or which are important for the functioning of the Pergola.



This sign identifies important notes.

### Safety instructions



**To install this pergola technical knowledge is necessary.**

Do not mount this pergola yourself but contact a professional workman for help if

- ◆ you are unsure if the pergola can be mounted on the place you chose for installation.
- ◆ you do not understand the instruction manual or parts of it.
- ◆ you do not have necessary tools available.
- ◆ you do not have necessary technical knowledge.



**A minimum of three healthy adults are required to move and install the pergola**

as the product is big and heavy. Do not try to install the pergola alone. If the pergola falls, it could cause serious injuries and damages! Contact an authorized assembler for help.



**Do not install the pergola when you find damage parts are that parts are missing.**

Contact your dealer.



**Keep children and pets out of the working area during assembly and adjustments.**





**This product and its fixing parts are only suitable for installation on a plain cement wall or stable brickwork, If the wall/brickwork shows cracks you have to consult a professional.**



**Nobody is allowed to change the products' design and structure** without the permission of manufacture or authorized deputy.



Please make sure that your hands are clean at the time of the assembly; otherwise you may soil frame.



**Nobody is allowed to climb onto the Pergola. Hanging anything on the Pergola is forbidden.**

Sheeting was used to protect the paint. This must be removed afterwards.





This structure is a non-permanent structure and the warranty does not cover damage incurred under extreme weather conditions including heavy rain, high winds or if exposed to high heat from heaters or BBQs.

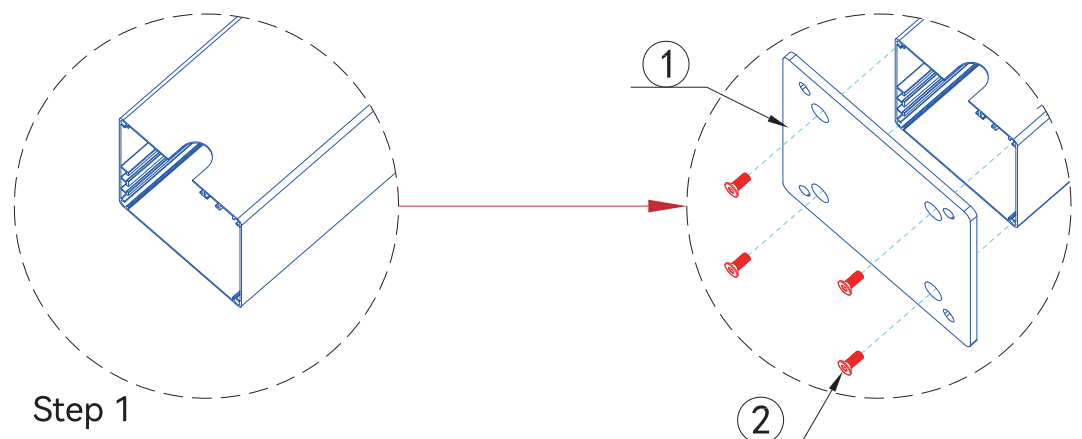
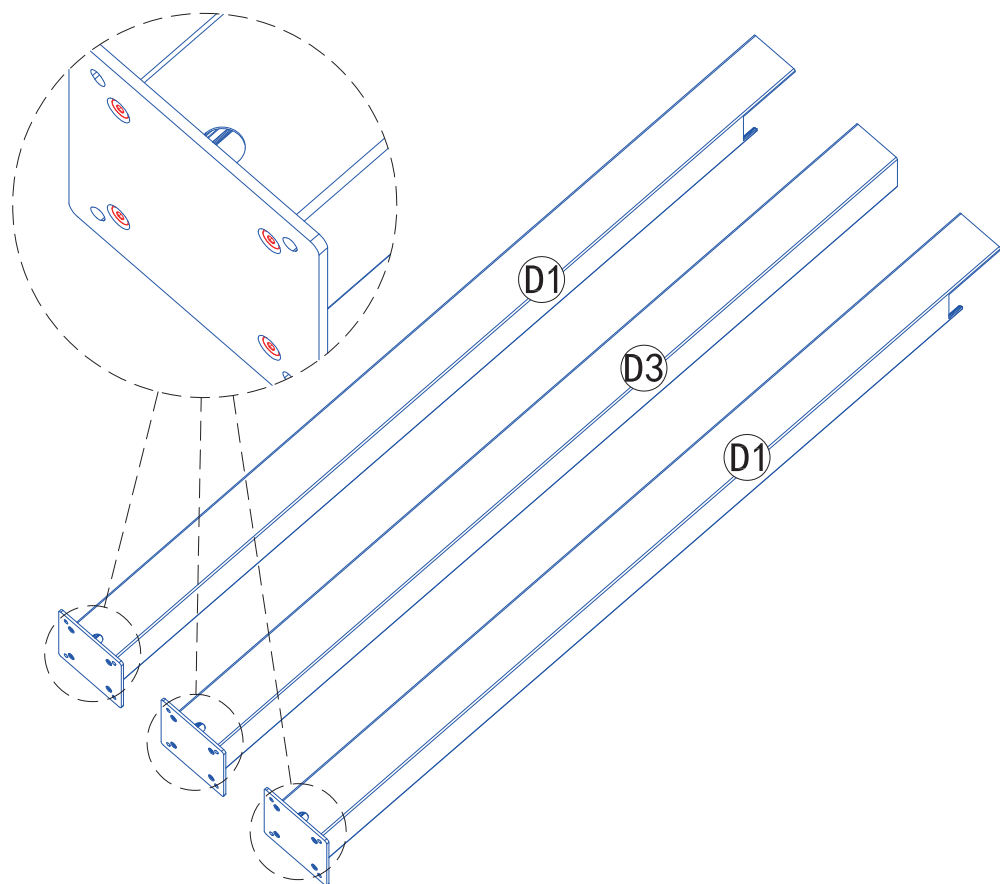
Safety precautions should always be followed when assembling and using this product to reduce the risk of personal injury and damage to equipment. Please read all instructions before assembly and use. Never leave children unattended around/under this pergola. Do not attempt to assemble or use the pergola in moderate or heavy wind conditions. Always **keep the pergola louver open** and secure it during heavy winds or extreme weather conditions to avoid damage to the pergola or personal injury.

## Mounting and usage

### STEP 1


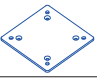



Align ① with the corresponding screw holes at the bottom of ① and ③, and tighten ②.

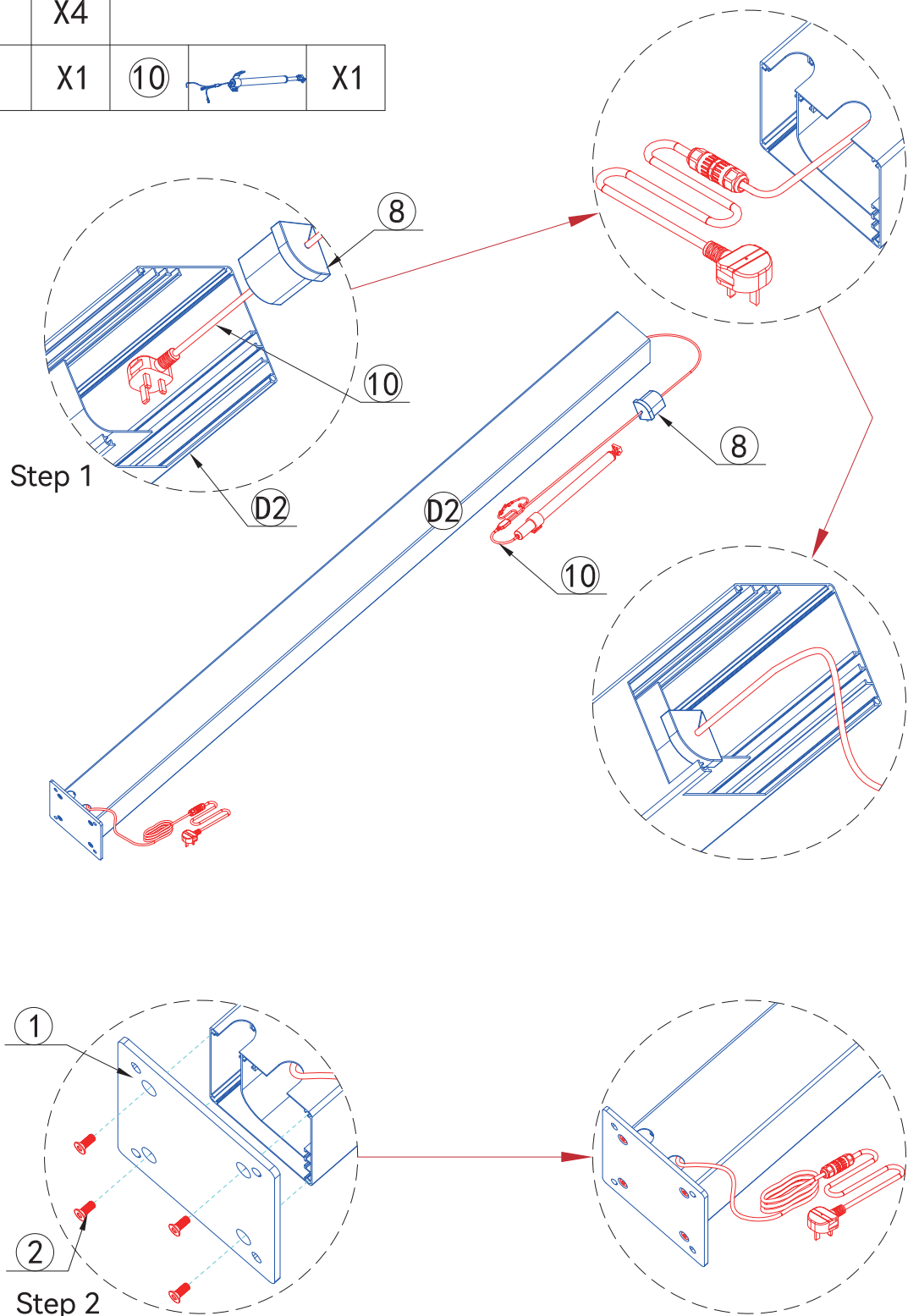
①		X2
③		X1
①		X3
②		X12



## STEP 2





1. Route the power cable of (10) through (8), align it with the cable notch of (D2), and route it to the bottom of (D2). Finally, install (8) on the end face of (D2).
2. Align (1) with the screw hole at the bottom of (D2), and tighten (2).

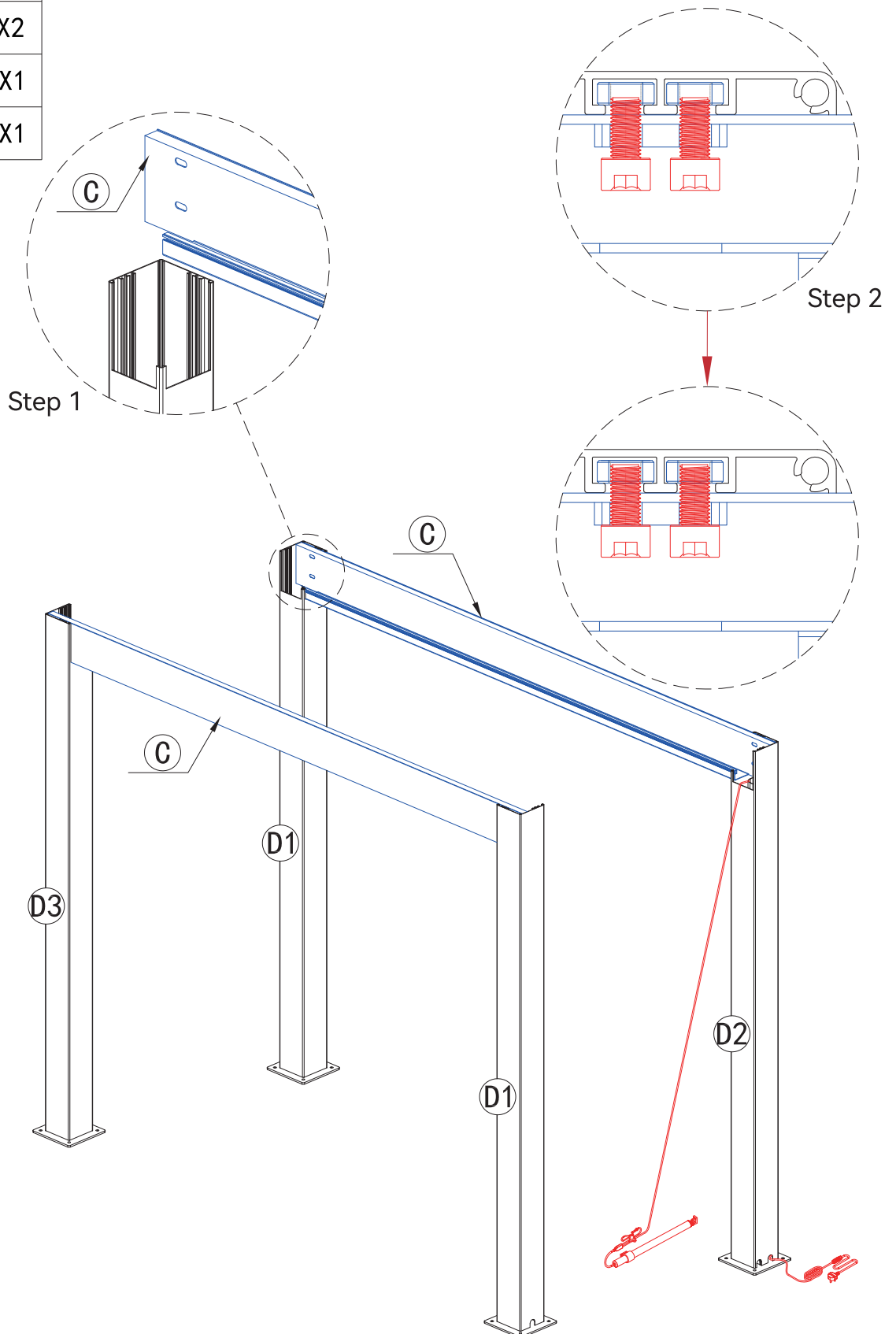
(D2)		X1			
(1)		X1			
(2)		X4			
(8)		X1	(10)		X1



### STEP 3

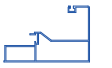
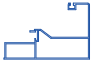
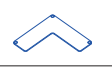

1. Align (C) with the internal grooves of (D1), (D2), and (D3) and insert it to the end;
2. Tighten all hexagonal cylindrical head screws in (C).

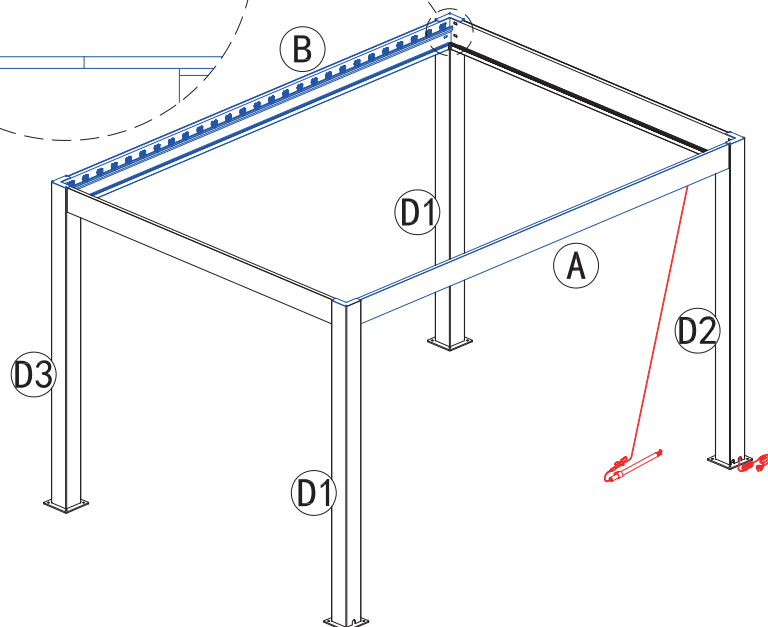
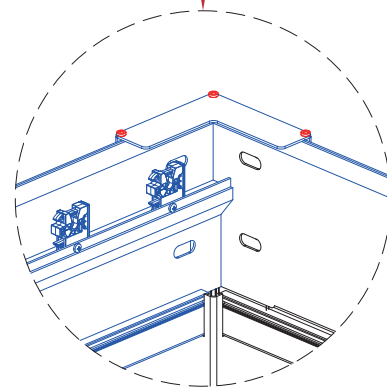
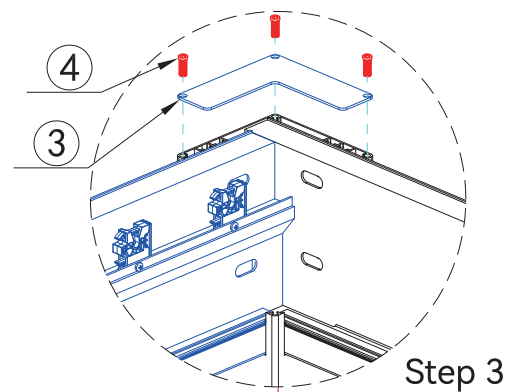
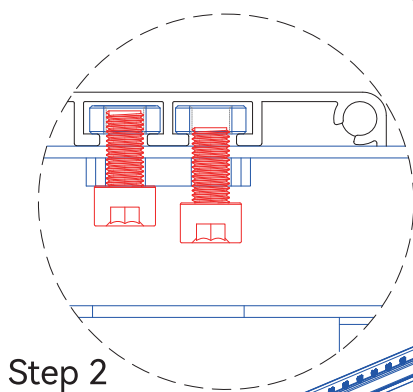
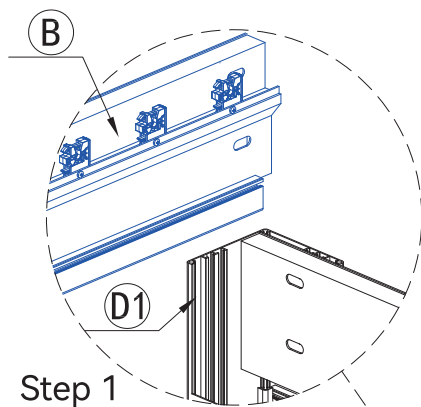
(C)		X2
(D1)		X2
(D2)		X1
(D3)		X1



## STEP 4

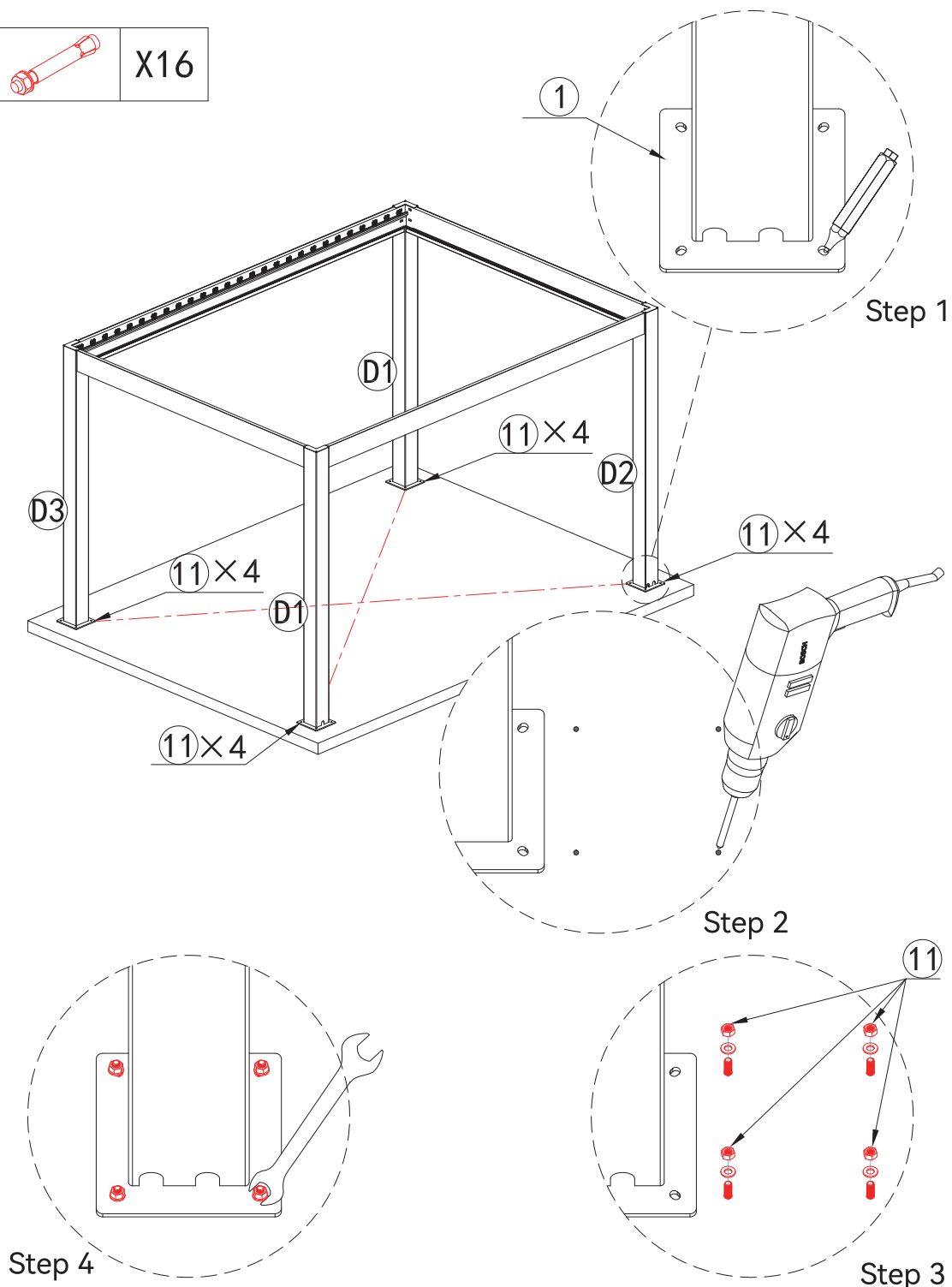
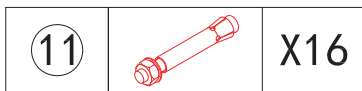
1. Align (A) and (B) with the internal grooves of (D1), (D2) and (D3) and insert them into the bottom
2. Tighten all hexagonal cylindrical head screws in (A) and (B)
3. Align (3) with the top screw holes on (D1), (D2), and (D3), and tighten the screws with (4).

(A)		X1
(B)		X1
(3)		X4
(4)		X12



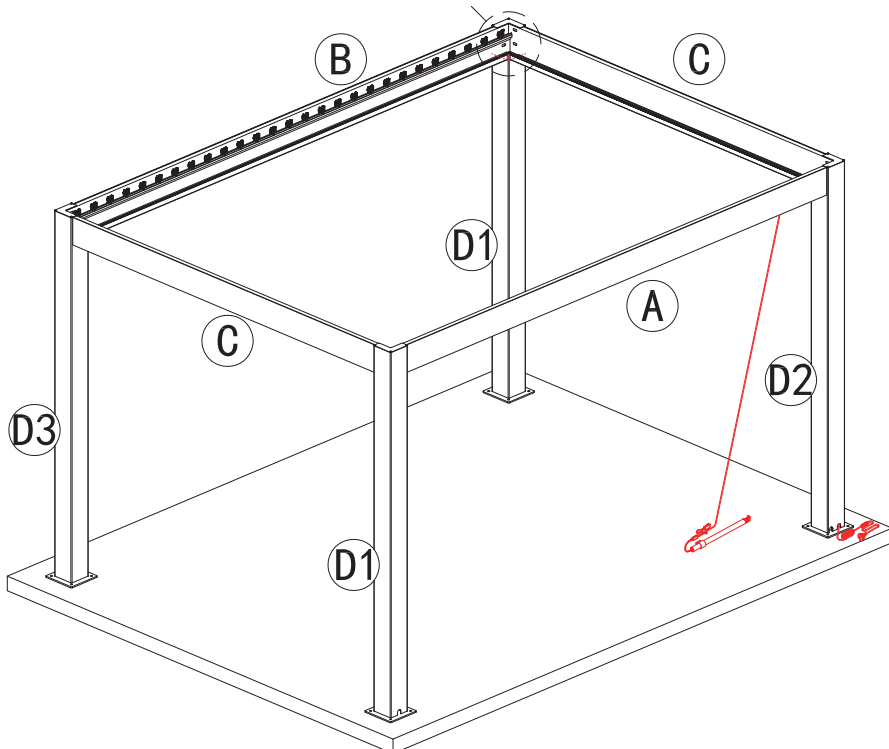
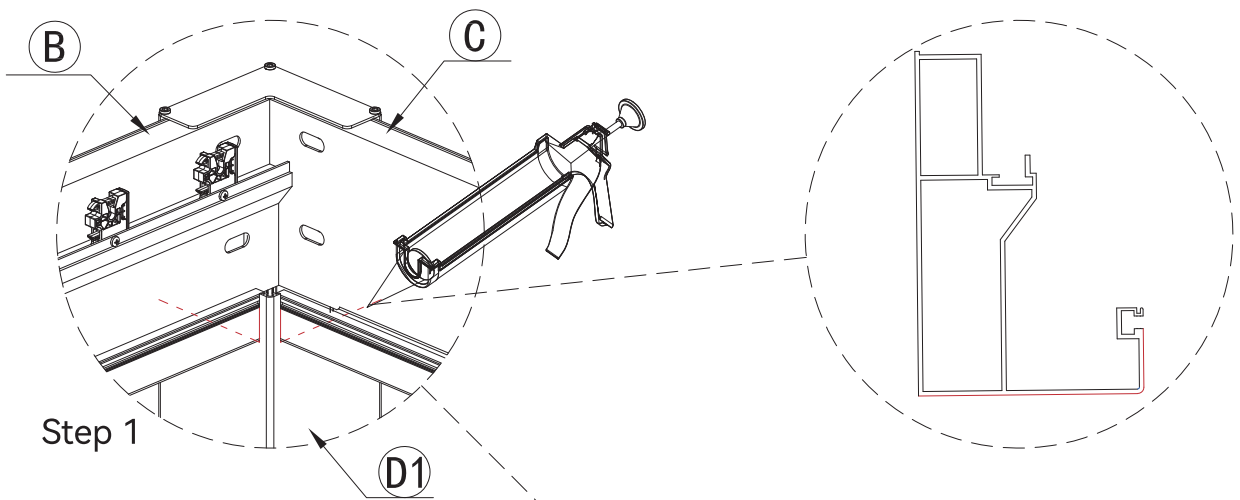
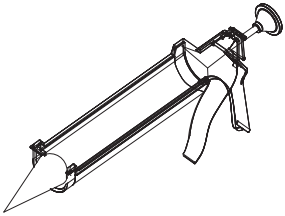
## STEP 5

1. Measure the column spacing and diagonal lines and fine-tune them. Then use a pen to mark the ground on all four holes of ①
2. Move ①, ②, and ③ away from the ground and drill holes at the marked points using tools.
3. Insert ⑪ into the hole drilled on the ground, and take out nuts and flat washers.
4. Align ①, ②, and ③ with ⑪ and place them in the slot. Then place the flat washer and nut of the expansion screw on ⑪ and tighten them.





## STEP 6

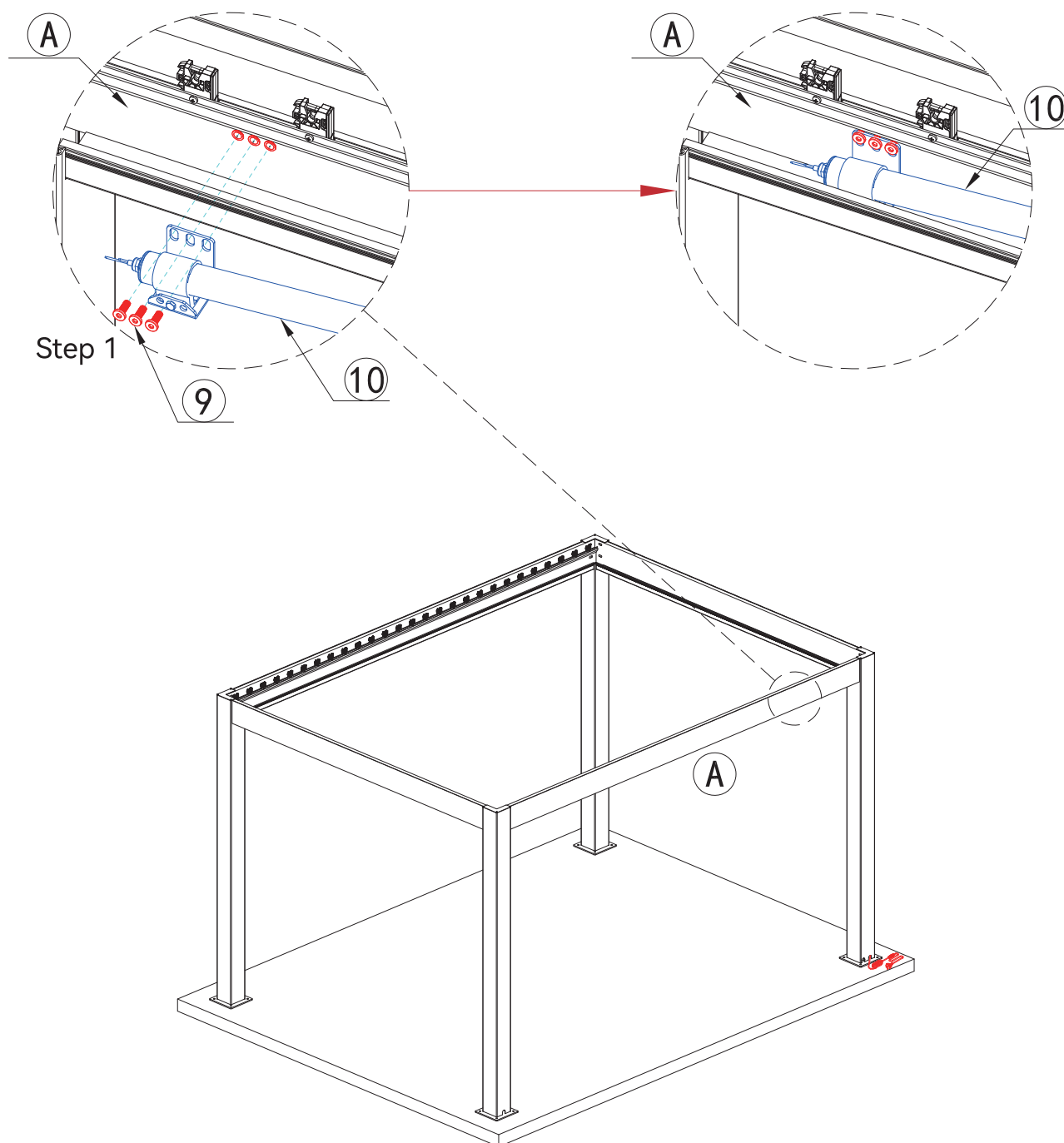
1. Use a glass glue gun to evenly apply glass glue at the intersection of (A), (B), and (C) with (D1), (D2), and (D3).



## STEP 7

1. Install (10) on (A) with M8 riveting nut on the inner side, align the nut hole, and tighten the nut with (9).

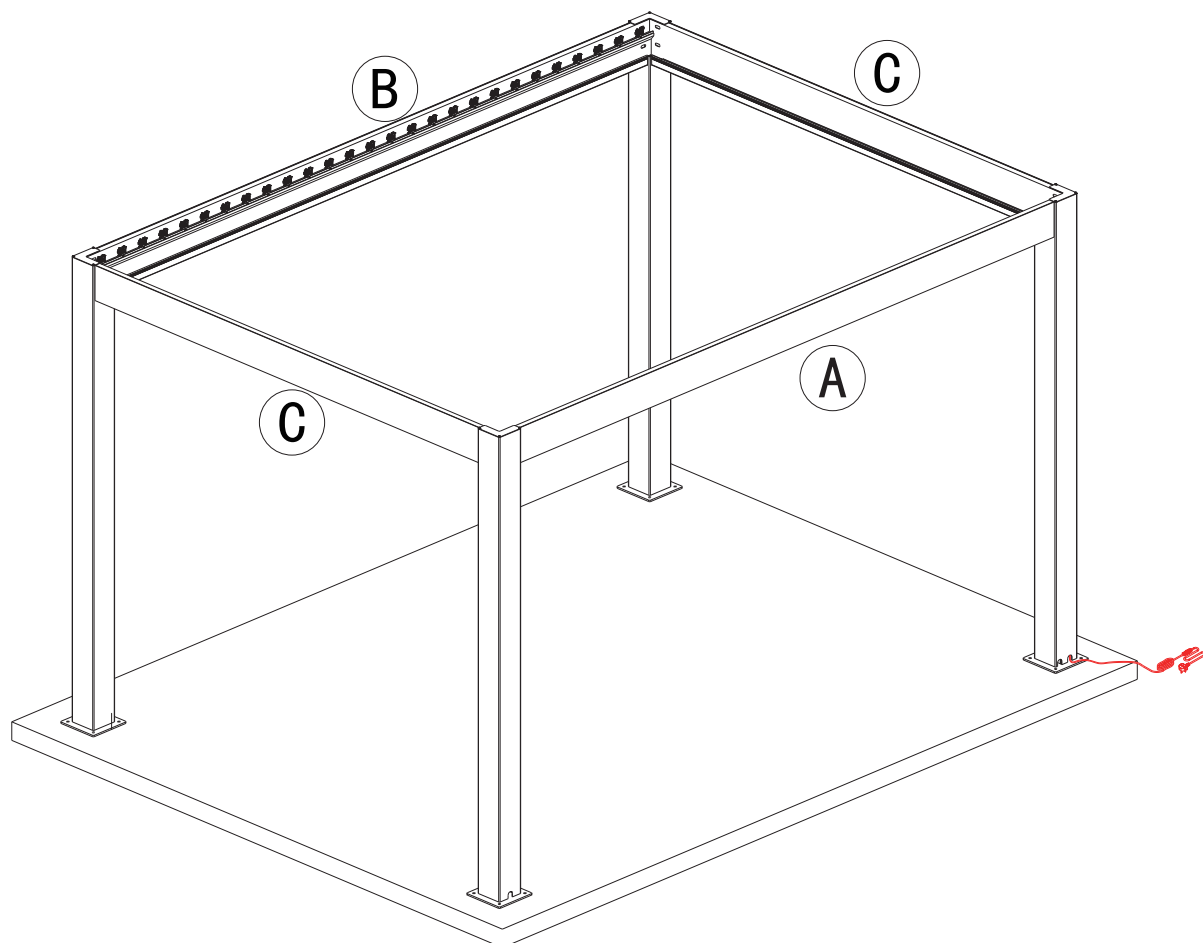
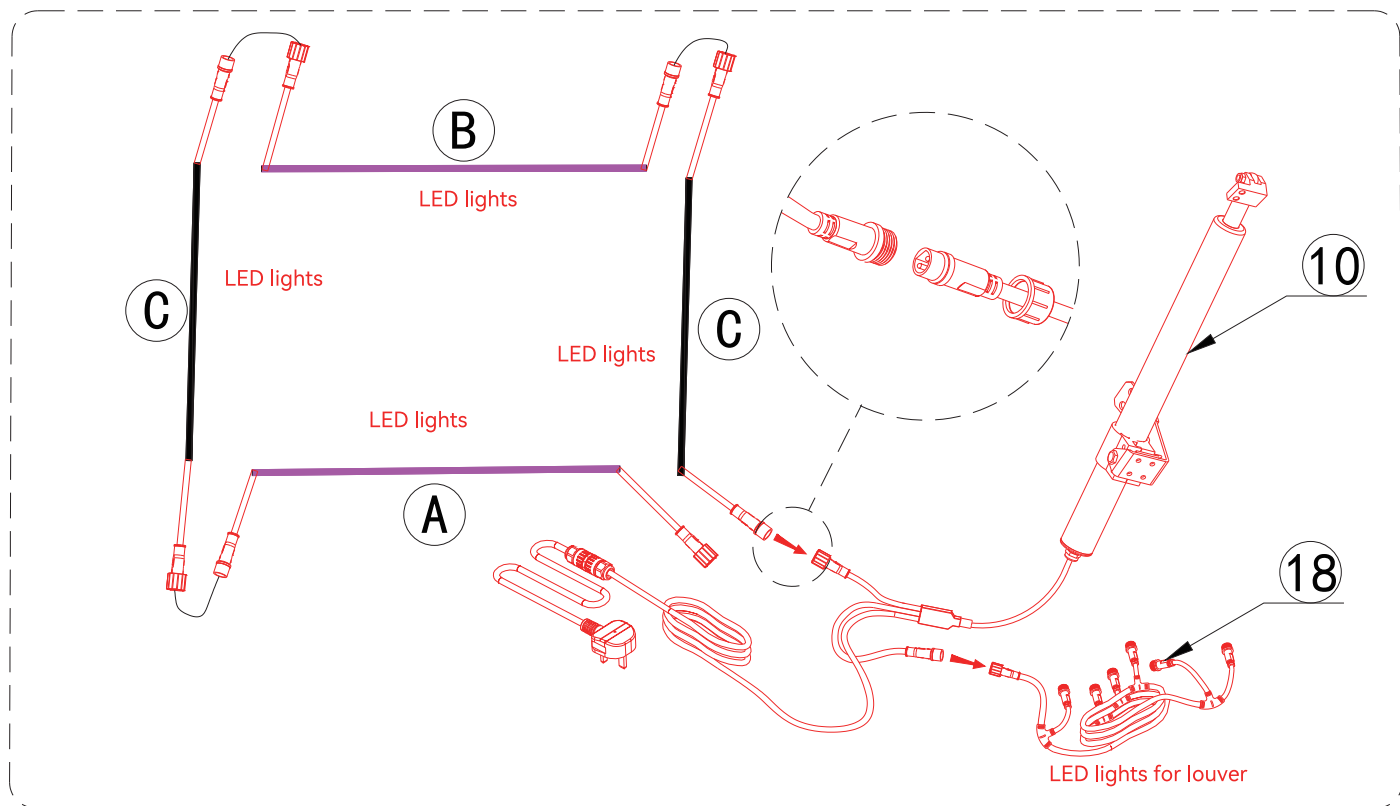
(9)		X3
(10)		X1





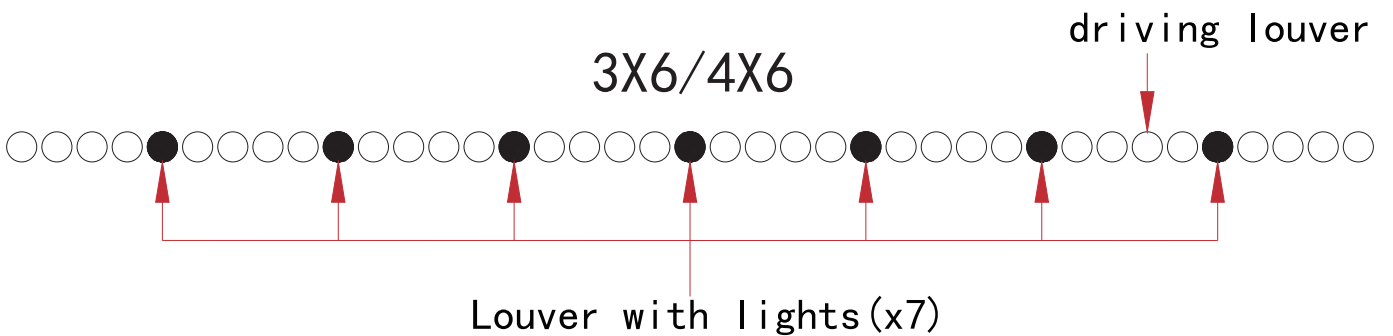
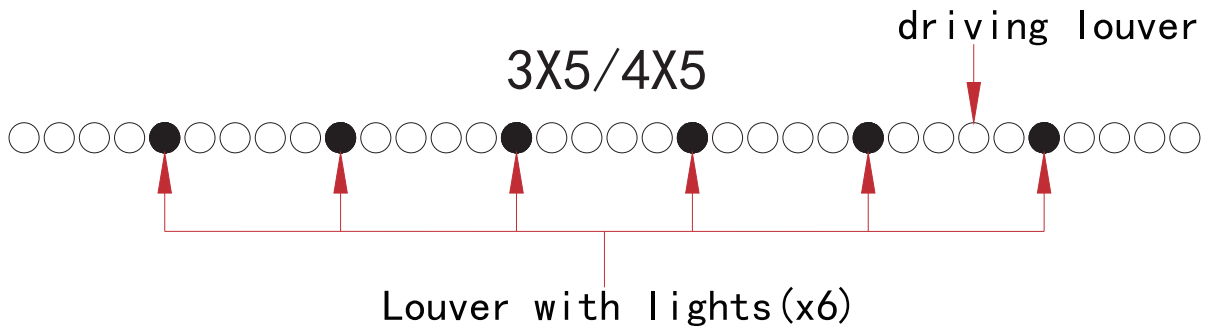
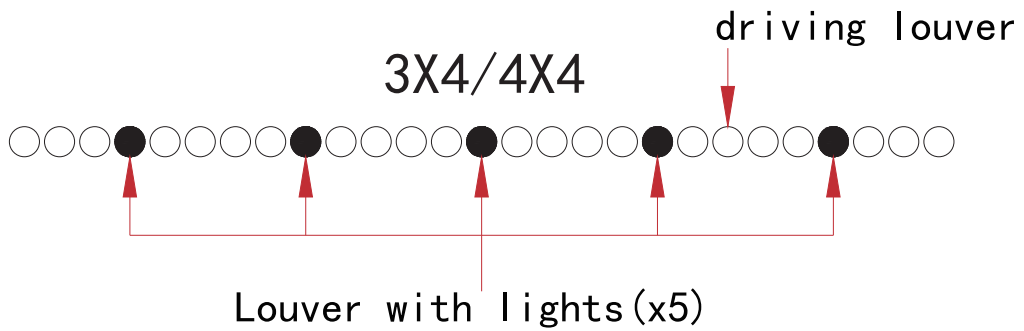
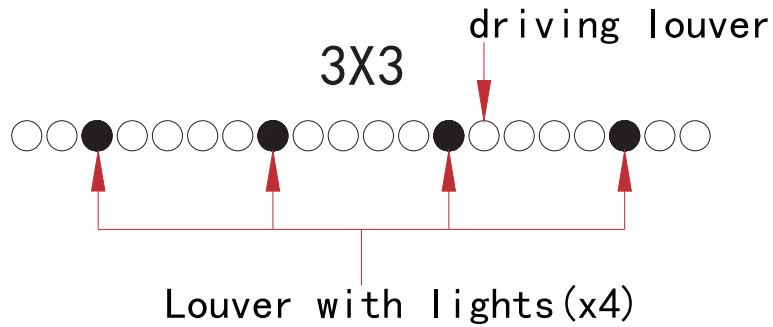
## STEP 8

1. Connect LED strips of (10) and (A), (B), and (C).



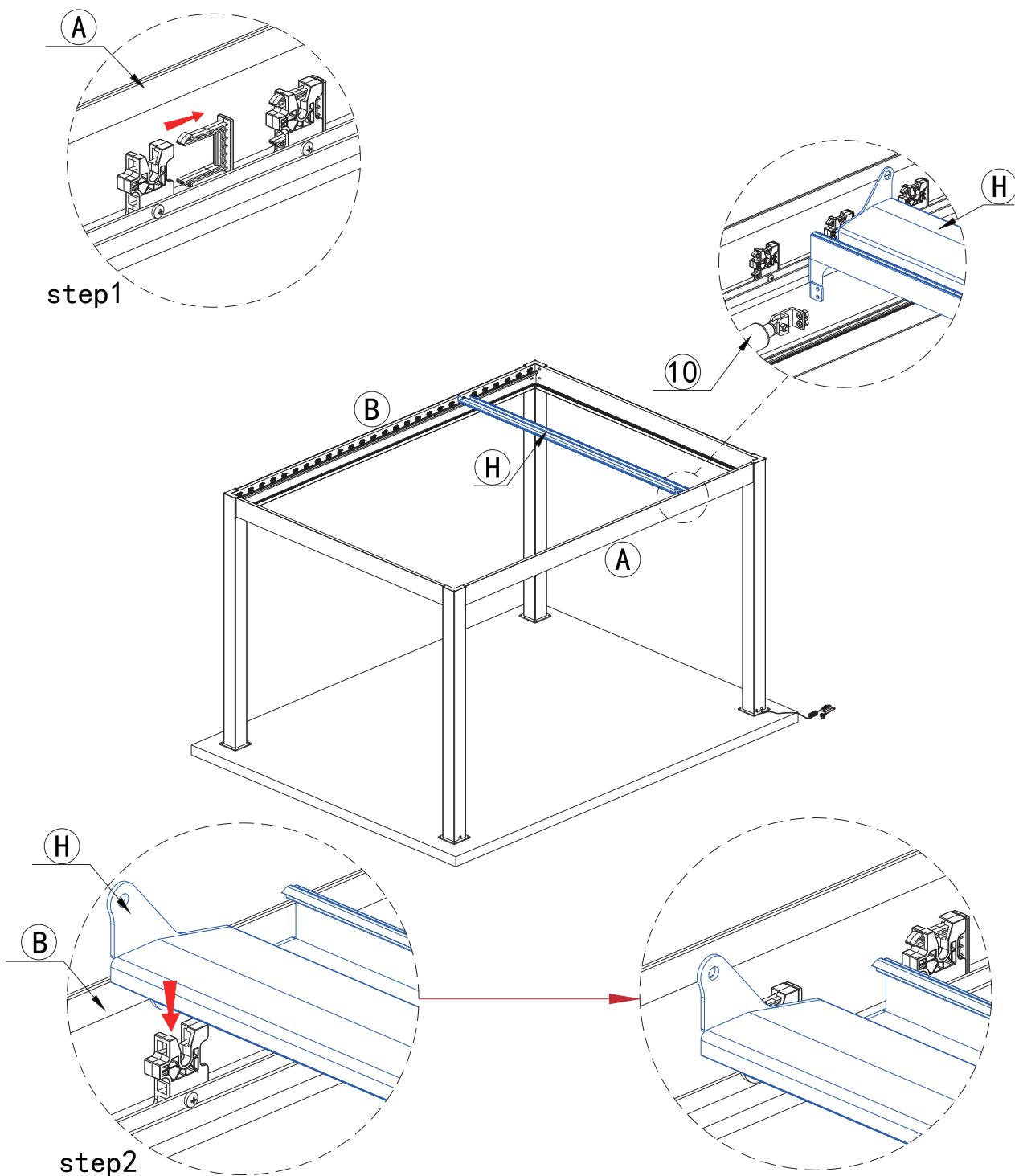
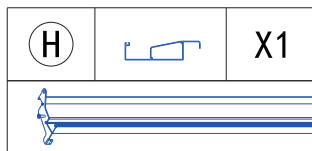
Ⓒ-1 Louver	○
Ⓒ-2 Louver with lights	●

★ Install one louver with LED light every four louvers





## STEP 9

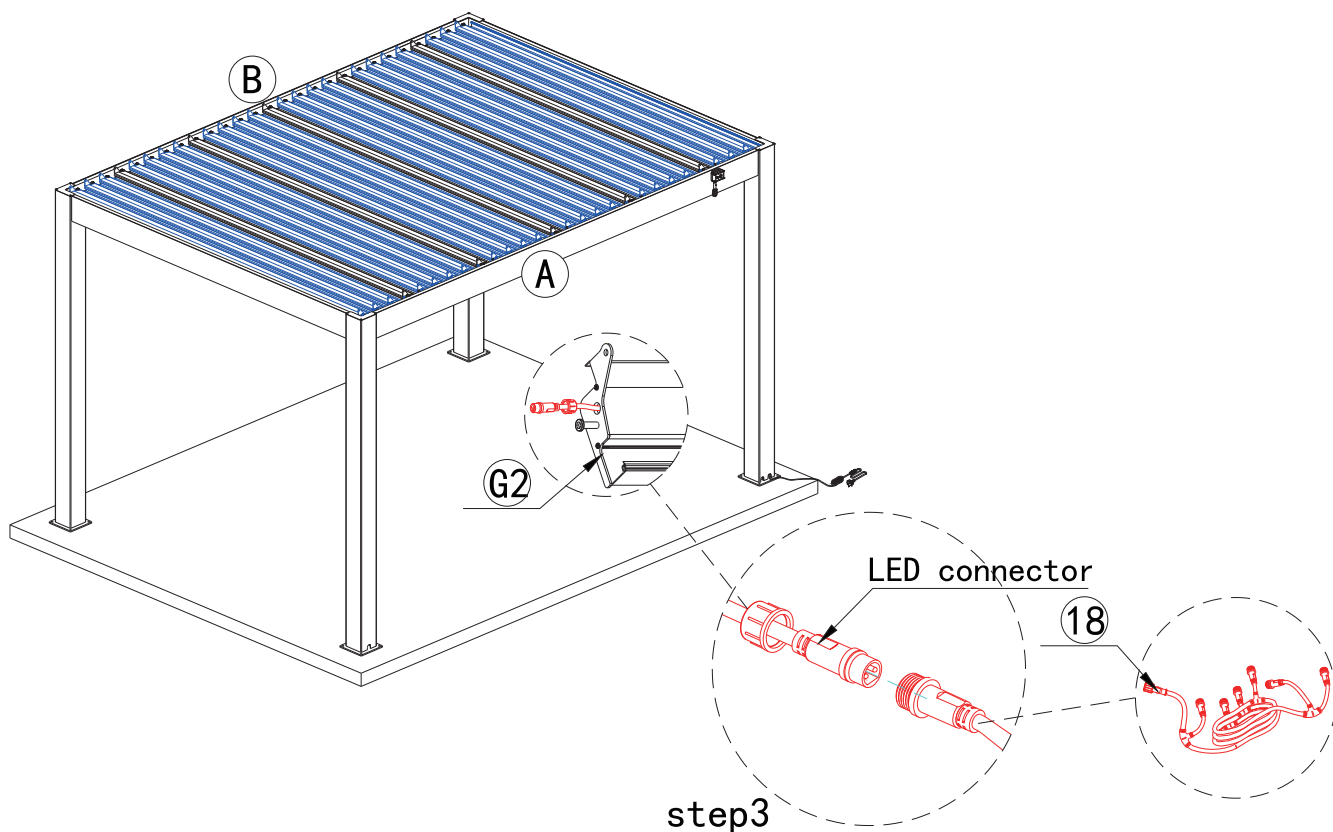
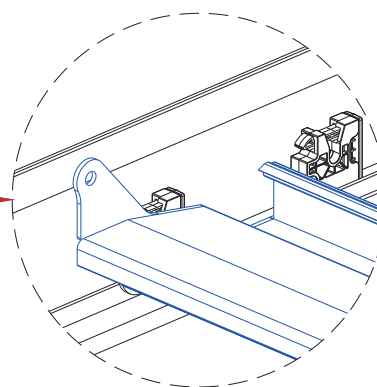
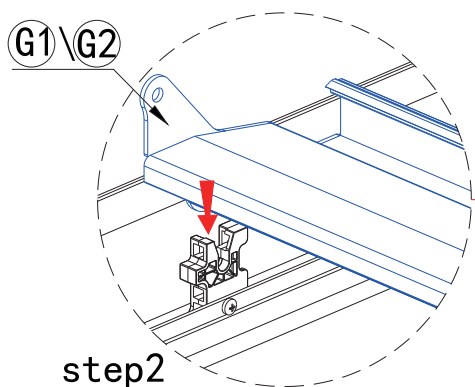
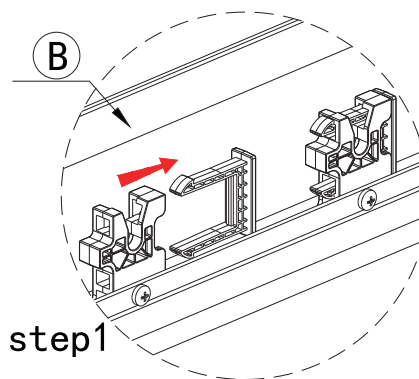
1. Remove the seventh blade base buckle on (A) and (B)
2. Install (H) on the seventh blade base on (A) and (B), and then reinstall and fix the base fastener.



## STEP 10





1. Remove the base latches on the blades of (A) and (B)
2. Install (G1) and (G2) on the blade base of (A) and (B), and then reinstall and fix the base buckle.
3. Connect the (G2) LED light to (18) .

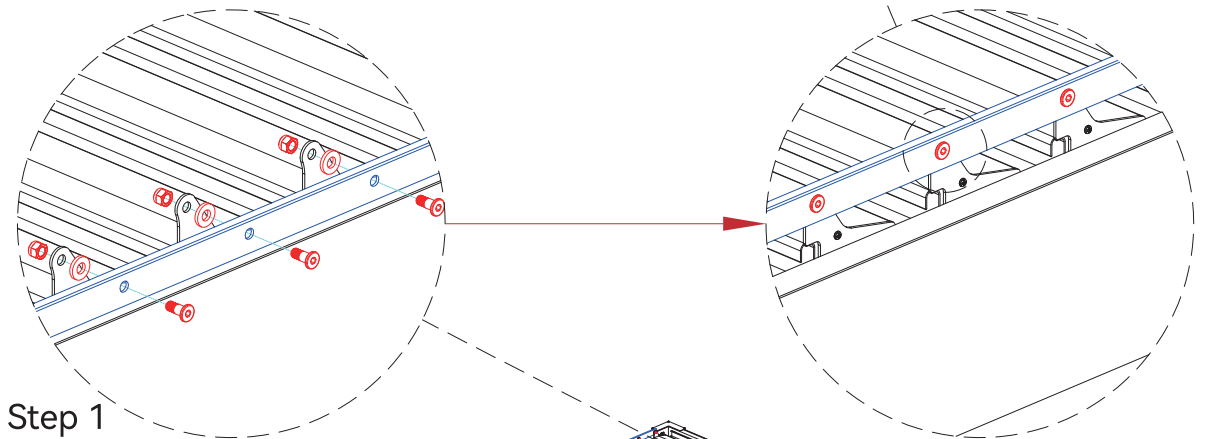
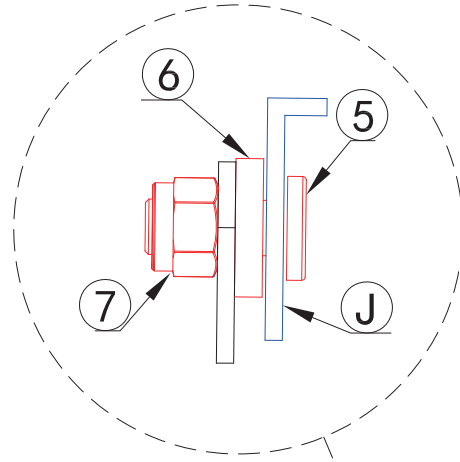
图号	规格	3X3	3X4 4X4	3X5 4X5	3X6 4X6
(G1)		X15	X21	X27	X31
(G2)		X4	X5	X6	X7



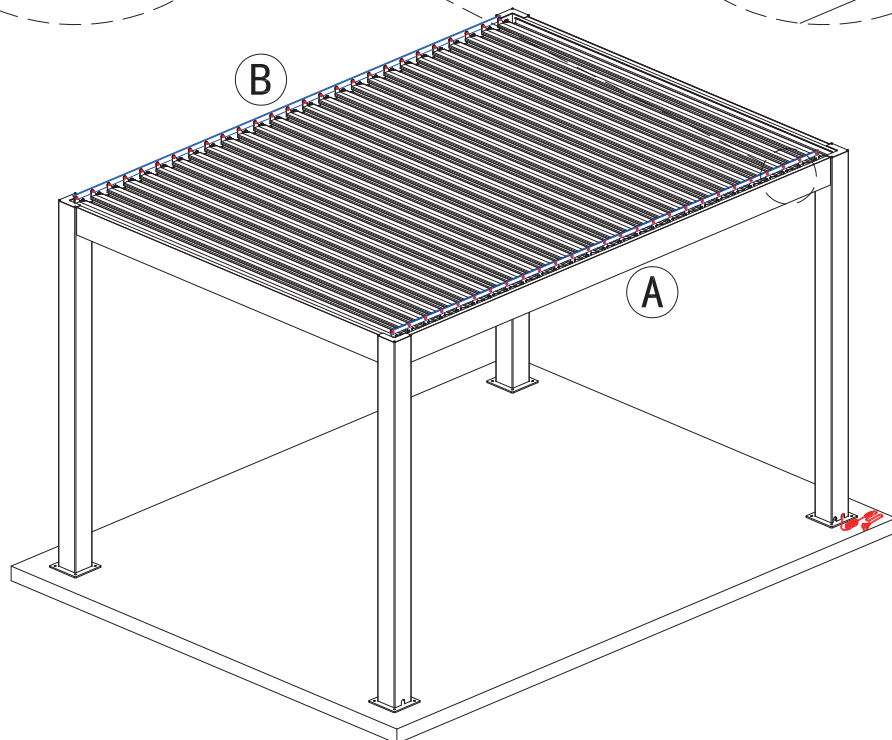
## STEP 11

1. Install ⑤, ⑥, and ⑦ on ④ as shown in step figure.

		3×3	3×4 4×4	3×5 4×5	3×6 4×6
⑤		40	54	68	78
⑥		40	54	68	78
⑦		40	54	68	78
④		2	2	2	2

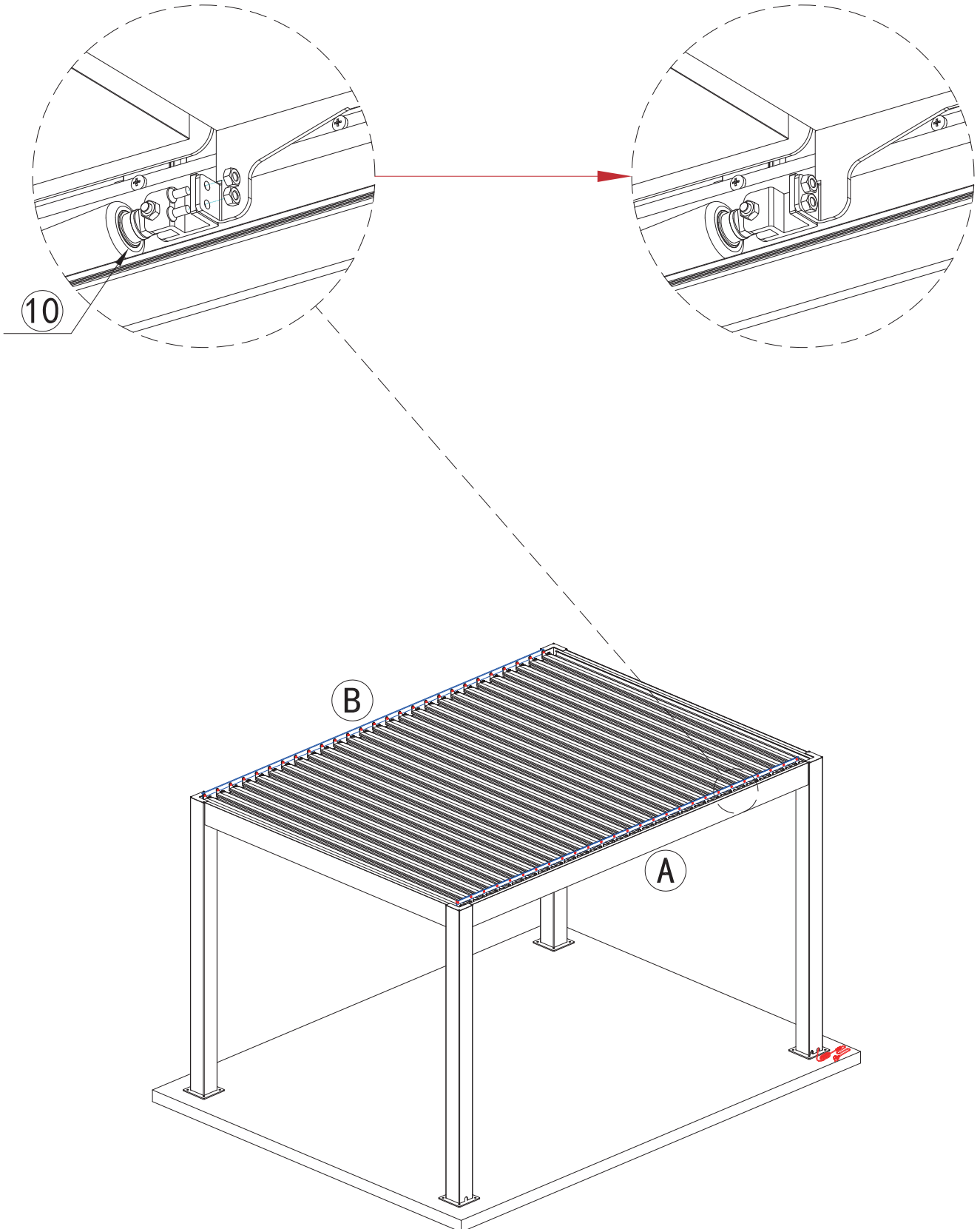


Step 1



## STEP 12

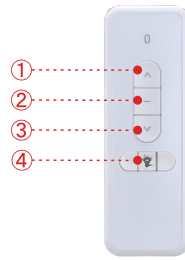
1. Fasten the two M5 hexagonal countersunk screws and M5 self-locking nuts provided by (10) to the connection code of (10) and the drive side plate of (H), as shown in the step figure.



## Operating Instructions for Remote Controller with Light Control

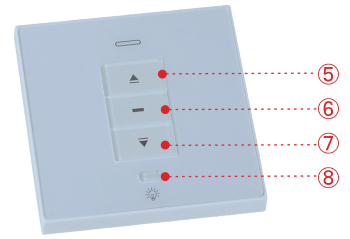
### 1. Function and Features

- ① 86mm\*86mm, in accordance with international installation standard;
- ② The electric structure is partial conformity with the standard fire protection requirement of the electrician;
- ③ Industrial grade microcomputer chip is used to improve product quality and reliability greatly;
- ④ Use shock-proof current relay;
- ⑤ Components using precision SMT industry , surface moisture-proof treatment;
- ⑥ Power supply has safety protection, power supply time is 5 minutes;
- ⑦ It is used with various emitters and tubular motors.



**HC-PM03\D-T1**

- ① Motor: Up button
- ② Motor: Stop button
- ③ Motor: Down button
- ④ Light bulb: turn on / off button



**HC-PM03F\D-T1**

- ⑤ Motor: Up button
- ⑥ Motor: Stop button
- ⑦ Motor: Down button
- ⑧ Light bulb: turn on / off button

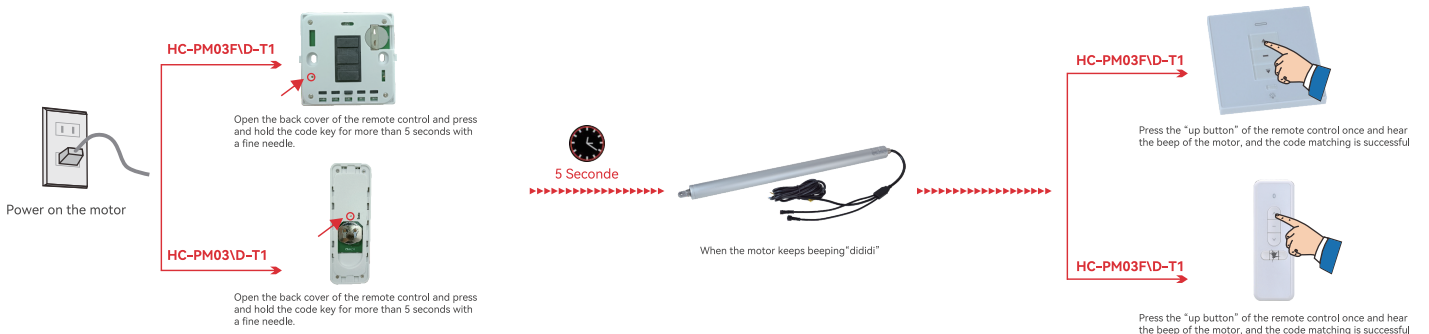
### 2. Parameters

Product Name	Remote control with light control
Product Model	HC-PM03\D-T1
Receive/transmit Frequency	868.35MHz
Working Temperature	-20°C~+85°C
Receive Sensitivity	-110dBm
Number of Emitters Allowed	≤8pcs

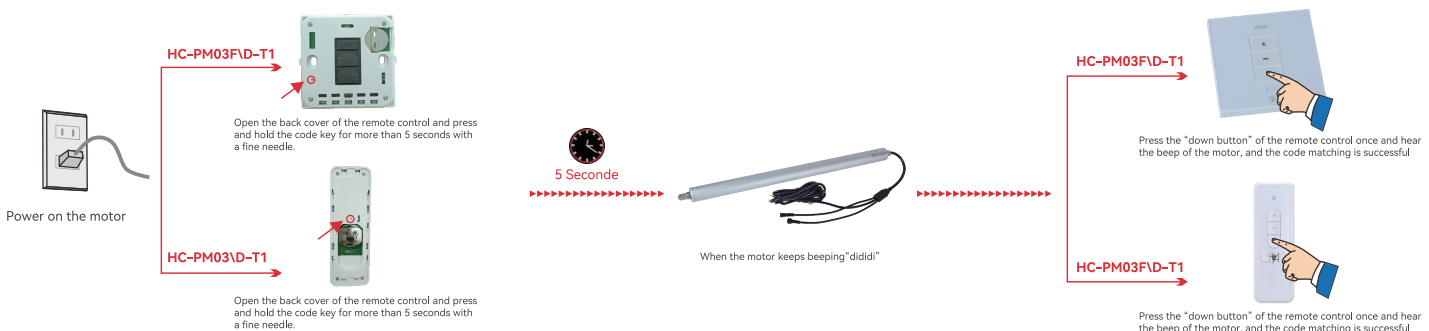
Product Name	Remote control with light control
Product Model	HC-PM03F\D-T1
Receive/transmit Frequency	868.35MHz
Working Temperature	-20°C~+85°C
Receive Sensitivity	-110dBm
Number of Emitters Allowed	≤8pcs

### 3. Instructions

#### A. Learning code steps



#### B. Deleting code



**WARNING: Ensure louvers are open during periods of mild to strong winds.**

## Dismounting

If you want to disassemble the Pergola, please follow the following process.

**Attention! At least two people are needed for this step.**

- ◆ Keep the Pergola louvers open before you begin with dismounting. Bind the Louvers of the Pergola together to avoid unintended unfolding, This might cause damage and injury. You can use the protection band that was fixed on the Pergola when purchasing it.
- ◆ Follow the mounting instructions in reversed order to dismount the Pergola.
- ◆ Make sure that drilling holes in the wall will be sealed professional.
- ◆ **Attention! Safety hints and instructions have to be followed for dismounting as well.**

## Storage

When you do not want to use the Pergola for a longer period of time it is recommended to take the Pergola out of the brackets and store it.

- ◆ **Make sure that the frame is dry completely before storing.**
- ◆ **Store the Pergola at a dry and safe place that is not reachable for children.**

## Disposal

Do not dispose this Pergola with other household wastes. To prevent possible harm to the environment or human health from uncontrolled waste disposal, recycle it responsibly to promote the sustainable reuse of material resources. To return your used device, please use the return and collection systems or contact the retailer where the product was purchased. They can take this product for environmental safe recycling, Dispose packing materials according to local guidelines.